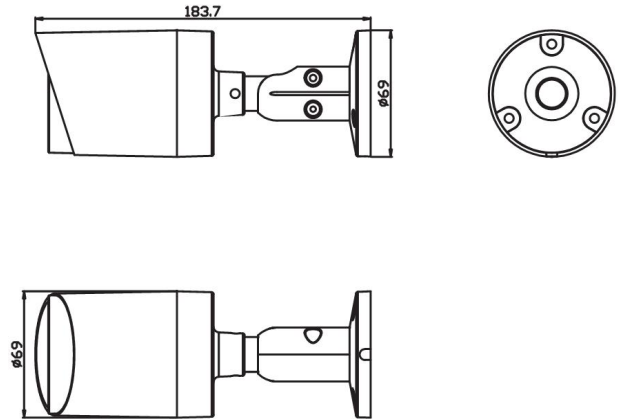


5MP PoE Bullet Camera

Model: HK-UNV-B523-(A)



Key Features



5MP, 1/2.7" CMOS sensor

5MP resolution 2880*1620@25fps Smart encoding

H.265, H.264 Smart Encoding

Smart Human body Detection

Extra-ISP technology ensures high image quality in low illumination environment

Support 9:16 Corridor Mode , Rotation 90°, ROI, Watermark

2D/3D-DNR, Slow Shutter, light control, White Balance, Defog

Built-in Mic, support Audio abnormal Detection

Smart IR, up to 30m (98ft) IR distance

IP67 protection

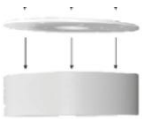
3-Axis

Specifications

Model	HK-UNV-B523-(A)		
Camera			
Sensor	1/2.7", 5.0 megapixel, SmartSens SC500AI CMOS		
Soc processor	SigmaStar SSC30KQ		
Lens	3.6mm/2.8mm		
Adjustment angle	Pan: 0° ~ 180°	Tilt: 0° ~360°	Rotate: 0° ~ 360°
Shutter	Auto/Manual, 1 ~ 1/100000s		
Min. Illumination	Color: 0.01Lux (F2.0, AGC ON) 0Lux with IR		
WDR	D- WDR		
Day/Night	IR-cut filter with auto switch (ICR)		
S/N	>52dB		
IR Range	Up to 30m (98ft) IR range		
Wavelength	850nm		
IR On/Off Control	Auto/Manual, can be turned off		
Defog	Digital Defog		
Video			
Max. Resolution	2880 x 1620		
Video Compression	H.265, H.264 Smart Encoding		
H.264 code profile	Baseline profile, Main Profile		
Frame Rate	Main Stream: 25fps@5MP(2880*1620)/3MP(2304x1296)/1080P Sub stream: 25fps@D1/640x360/CIF		
Video Bit Rate	128 Kbps~6 Mbps		
OSD	Up to 4 OSDs		
Privacy Mask	Up to 4 areas		
ROI	Up to 8 areas		
Motion Detection	Up to 22 x 18 cells		
Audio			
Built-in Mic	Yes		
With Speaker	None		
Encored Type	G711a, G711u		
Image			
White Balance	Auto/Outdoor/Fine Tune/Sodium Lamp/Locked/Auto2		
Digital noise reduction	2D/3D DNR		
Smart IR	Support		
Flip	Normal/Vertical/Horizontal/180°,90°		
Low Shutter	Support		
Smart Illumination	Support Auto / Manual, Led ON/OFF control		
BLC	Support		
Smart			
Behavior Analysis	None		
Target Detection	Human Body Detection		

Network	
Protocols	IPv4, IPv6, P2P, ICMP, ARP, TCP, UDP, DHCP, RTP, RTSP, RTCP, DNS, DDNS, NTP, FTP, UPnP, HTTP, HTTPS, PPPoE, SMTP, SSL, TLS
Compatible Integration	ONVIF 17.12 (Profile S, Profile T), SDK
Client Software	Guard Station -- (PC) Guard Viewer -- (Mobile APP) Guard Tool -- (IP tool)
Web Browser	Plug-in required live view: IE9+, Chrome 41 and below, Firefox 52 and below
	Plug-in free live view: Chrome 57.0+, Firefox 58.0+, Edge 16+, Safari 11+
Interface	
Network	10/100M Base-TX Ethernet
General	
Power	DC 12V±25%, PoE (IEEE 802.3af)
	Power consumption: Max 8W
Dimensions (∅ x H)	∅69 x 200 mm (∅2.7" x 7.9")
Net Weight	0.45kg (0.99lb)
Material	Metal + Plastic
Working Environment	-30°C ~ 60°C (-22°F ~ 140°F), Humidity: ≤95% RH (non-condensing)
Storage Environment	-30°C ~ 60°C (-22°F ~ 140°F), Humidity: ≤95% RH (non-condensing)
lightning Protection	4KV
Ingress Protection	IP67

Accessories



*Product specifications and availability are subject to change without notice.