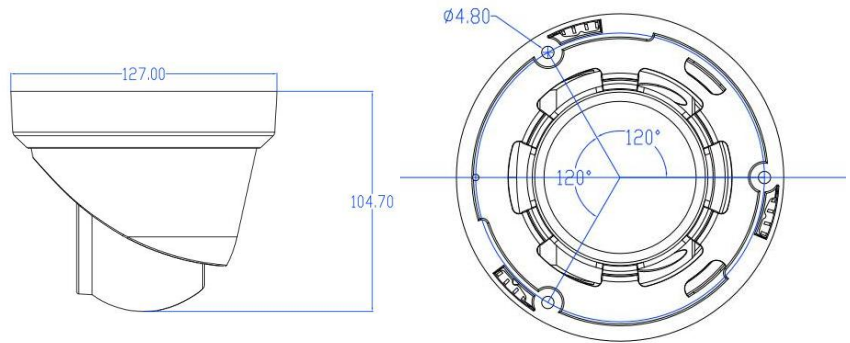


5MP PoE Full Color Vision Camera

Model: HK-UNV-D522-LED-(A)



Key Features



5MP, 1/2.7" CMOS sensor

5MP resolution 2880*1620@25fps Smart encoding

H.265, H.264 Smart Encoding

Smart Human body detection

Extra-ISP technology ensures high image quality in low illumination environment

120dB true WDR technology enables clear image in strong light scene

Support 9:16 Corridor Mode , Rotation 90°, ROI, Watermark

2D/3D-DNR, Slow Shutter, light control, White Balance, Defog

Built-in Mic optional, support Audio abnormal Detection

2PCS Soft & Warm Supplemental Light,Light distance up to 30m (98ft)

IP67 protection, 3-Axis

Specifications

Model	HK-UNV-D522-LED-(A)		
Camera			
Sensor	1/2.7", 5.0 megapixel, SmartSens SC500AI CMOS		
Soc processor	SigmaStar SSC30KQ, A7 1.2GHz, embedded 2Gb DDR3		
Lens	2.8mm@F1.0 true starlight lens		
Angle of view (H)	105.3°		
Angle of View (V)	69.5°		
Angle of View (O)	136.9°		
Adjustment angle	Pan: 0° ~ 360°	Tilt: 0° ~ 90°	Rotate: 0° ~ 360°
Shutter	Auto/Manual, 1 ~ 1/100000s		
Min. Illumination	Color: 0.001Lux (F2.0, AGC ON) 0Lux with IR		
WDR	2-Exposure optical WDR up to 120DB		
Day/Night	IR-cut filter with auto switch (ICR)		
S/N	>52dB		
Color Vision Range	Up to 30m (98ft) IR range		
Wavelength	850nm		
IR On/Off Control	Auto/Manual, Led can be turned off		
Defog	Digital Defog		
Video			
Max. Resolution	2880 x 1620		
Video Compression	H.265, H.264 Smart Encoding		
H.264 code profile	Baseline profile, Main Profile		
Frame Rate	Main Stream: 25fps@5MP(2880x1620)/4MP(2560x1440)/ 3MP(2304x1296) , 30fps@1080P Sub stream: 30fps@720P/D1/640x360/CIF Third stream: 30fps@D1/(640x360)/CIF		
Video Bit Rate	128 Kbps~6 Mbps		
OSD	Up to 8 OSDs		
Privacy Mask	Up to 4 areas		
ROI	Up to 8 areas		
Motion Detection	Up to 22 x 18 cells		
Audio			
Built-in Mic	Optional		
With Speaker	None		
Encored Type	G711a, G711u		
Image			
White Balance	Auto/Outdoor/Fine Tune/Sodium Lamp/Locked/Auto2		
Digital noise reduction	2D/3D DNR		
Smart IR	Support		
Flip	Normal/Vertical/Horizontal/180°,90°		
Low Shutter	Support		
Smart Illumination	Support Auto / Manual, Led ON/OFF control		

CAMERA DATA SHEET

BLC	Support
Smart	
Behavior Analysis	None
Target Detection	Human Body Detection
Detection Distance	15 m
Network	
Protocols	IPv4, IPv6, P2P, ICMP, ARP, TCP, UDP, DHCP, RTP, RTSP, RTCP, DNS, DDNS, NTP, FTP, UPnP, HTTP, HTTPS, PPPoE, SMTP, SSL, TLS
Compatible Integration	ONVIF 17.12 (Profile S, Profile T), SDK
Client Software	Guard Station -- (PC) Guard Viewer -- (Mobile APP) Guard Tool -- (IP tool)
Web Browser	Plug-in required live view: IE9+, Chrome 41 and below, Firefox 52 and below
	Plug-in free live view: Chrome 57.0+, Firefox 58.0+, Edge 16+, Safari 11+
Interface	
Network	10/100M Base-TX Ethernet
General	
Power	DC 12V±25%, PoE (IEEE 802.3af)
	Power consumption: Max 8W
Dimensions (Ø x H)	Φ127 x 104mm (Φ5" x 4.1")
Net Weight	0.45kg (0.99lb)
Material	Metal + Plastic
Working Environment	-30°C ~ 60°C (-22°F ~ 140°F), Humidity: ≤95% RH (non-condensing)
Storage Environment	-30°C ~ 60°C (-22°F ~ 140°F), Humidity: ≤95% RH (non-condensing)
lightning Protection	4KV
Ingress Protection	IP67