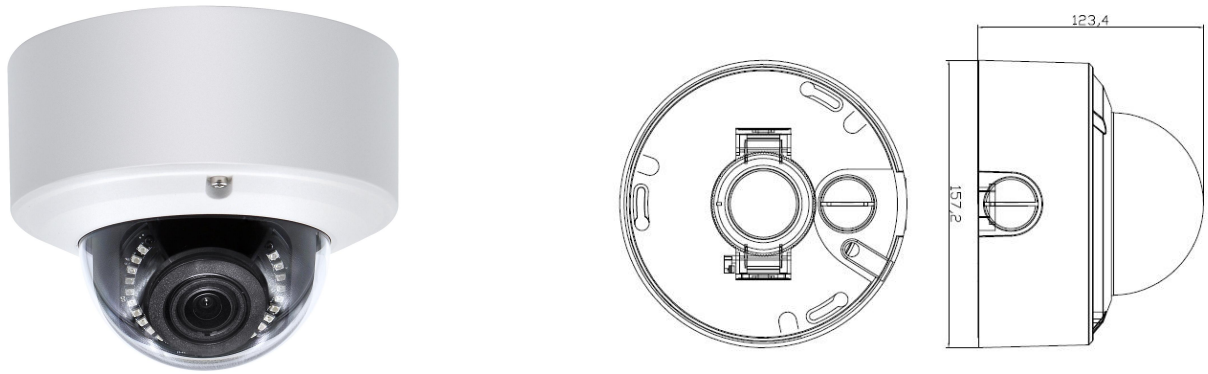


5MP Multifunction Moto Lens PoE Dome Camera WDR

Model: HK-UNV-D518V-(A)



Key Features



1/2.7" CMOS sensor

5MP resolution 2880*1620@25fps Smart encoding

H.265, H.264 Smart Encoding

Smart Human body Detection

Extra-ISP technology ensures high image quality in low illumination environment

120dB true WDR technology enables clear image in strong light scene

Support 9:16 Corridor Mode , Rotation 90°, ROI, Watermark

2D/3D-DNR, Slow Shutter, light control, White Balance, Defog

24 pcs Array IR Leds, IR distance 40 meters

IP67 protection

Default with Audio, Alarm, SD slot.

Specifications

| | | | |
|-------------------------|--|----------------|-------------------|
| Model | HK-UNV-D518V-(A) | | |
| Camera | | | |
| Sensor | 1/2.7", 5.0 megapixel, SmartSens SC500AI CMOS | | |
| Soc processor | SigmaStar SSC30KQ | | |
| Lens | 2.8mm-12mm Motorized lens | | |
| 3-Axis adjustable | Pan: 0° ~ 360° | Tilt: 0° ~ 90° | Rotate: 0° ~ 360° |
| Shutter | Auto/Manual, 1 ~ 1/100000s | | |
| Min. Illumination | Color: 0.01Lux (F2.0, AGC ON) 0Lux with IR | | |
| WDR | 2-Exposure Line optical WDR up to 120DB | | |
| Day/Night | IR-cut filter with auto switch (ICR) | | |
| S/N | >52dB | | |
| IR Range | Up to 40m | | |
| IR On/Off Control | Auto/Manual, can be turned off | | |
| Defog | Digital Defog | | |
| Video | | | |
| Max. Resolution | 2880*1620 | | |
| Video Compression | H.265, H.264 Smart Encoding | | |
| H.264 code profile | Baseline profile, Main Profile | | |
| Frame Rate | Main Stream: 25fps@5MP(2880x1620)/4MP(2560x1440)/3MP(2304x1296)/1080P Sub stream: 30fps@720P/D1/640x360/CIF Third stream: 30fps@D1/(640x360)/CIF | | |
| Video Bit Rate | 128 Kbps~6 Mbps | | |
| OSD | Up to 8 OSDs | | |
| Privacy Mask | Up to 4 areas | | |
| ROI | Up to 8 areas | | |
| Motion Detection | Up to 22 x 18 cells | | |
| Other Function | | | |
| Multifunction | Built in Mic, Alarm, SD slot | | |
| Mic Encored Type | G711a, G711u | | |
| Image | | | |
| White Balance | Auto/Outdoor/Fine Tune/Sodium Lamp/Locked/Auto2 | | |
| Digital noise reduction | 2D/3D DNR | | |
| Smart IR | Support | | |
| Flip | Normal/Vertical/Horizontal/180°,90° | | |
| Low Shutter | Support | | |
| HLC | Support | | |
| BLC | Support | | |
| Smart | | | |
| Behavior Analysis | None | | |
| Target Detection | Human Body Detection | | |

| Network | |
|------------------------|--|
| Protocols | IPv4, IPv6, P2P, ICMP, ARP, TCP, UDP, DHCP, RTP, RTSP, RTCP, DNS, DDNS, NTP, FTP, UPnP, HTTP, HTTPS, PPPoE, SMTP, SSL, TLS |
| Compatible Integration | ONVIF 17.12 (Profile S, Profile T), SDK |
| Client Software | Guard Station -- (PC) Guard Viewer -- (Mobile APP) Guard Tool -- (IP tool) |
| Web Browser | Plug-in required live view: IE9+, Chrome 41 and below, Firefox 52 and below |
| | Plug-in free live view: Chrome 57.0+, Firefox 58.0+, Edge 16+, Safari 11+ |
| Interface | |
| Network | 10/100M Base-TX Ethernet |
| Certifications | |
| Certifications | CE: EN 60950-1 |
| General | |
| Power | DC 12V±25%, PoE (IEEE 802.3af) |
| | Power consumption: Max 8W |
| Dimensions (Ø x H) | Φ69 x 200 mm (Φ2.7" x 7.9") |
| Net Weight | 0.45kg (0.99lb) |
| Material | Metal + Plastic |
| Working Environment | -30°C ~ 60°C (-22°F ~ 140°F), Humidity: ≤95% RH (non-condensing) |
| Storage Environment | -30°C ~ 60°C (-22°F ~ 140°F), Humidity: ≤95% RH (non-condensing) |
| lightning Protection | 4KV |
| Ingress Protection | IP67 |

Accessories optional



*Product specifications and availability are subject to change without notice.