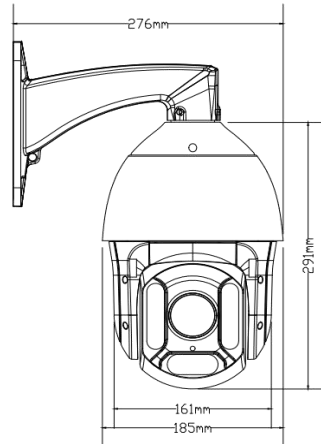


# 18X 3M WDR IP PTZ CAMRA HK-UNV64-BP-18X3M With Auto-Tracking



HD-IP IR PTZ SPEED DOME CAMERA

- \* 5.5" Half Metal Body Construction, IP66
- \* Optical 18X, Digital 16X
- \* Built-in UNV Protocol, 100% Compatible with Uniview NVR
- \* SMART Function Support
- \* Built-in POE

Pan & Tilt	
Manual speed	Pan (0.1°~200°/s)
	Tilt (0.1°~80°/s)
Rotation	Pan continuously 360°, tilt 0~90° with auto-flip
Preset	128 preset
Auto-flip	Tilt down 90°, with auto-flip 180°
Patrol	up to 16 patrol
HomePosition	preset/patrol can be set
Proportional Zoom	Rotation speed can be adjusted automatically according to zoom multiples
CAM SPEC	
Chispset	<b>3.0megapixel, 1/2.8"CMOS</b>
Effective Pixels	3M/30 FPS/S (2304*1296) ;
OPTICS Zoom	<b>Optical x 18X, 5.5~99mmmm</b>
Digital Zoom	<b>Digital:16X</b>
Angle	Appr.(D) 60.4°(Wide) to 4.4°(Tele);(H) 53.3°(Wide) to 3.8°(Tele);(V) 30.7°(Wide) to 2.2°(Tele);
Iris	F1.7
Auto Focus	Auto / one push / Manual
Min. Illumination	Colour: 0.005 lux (F1.7, AGC ON);0 lux with IR
Shutter Time	Auto/Manual; shutter time: 1 ~ 1/100000 s
IR Range	UP to 150m
Defog	Defog Digital Defog
Noise reduction	2D/3D DNR
Wide dynamic	<b>120dB</b>

<b>VIDEO</b>	
Video Compression	Ultra 265,H.265, H.264, MJPEG
H.264 code profile	Baseline profile, Main Profile, High Profile
Frame Rate	Main Stream:(3M)2304*1296、1280*720、720*576 (D1)、640*360
	Sub Stream:1280*720、720*576 (D1)、640*360
	Third Stream:720*576 (D1)、640*360、704*288 (2CIF)、352*288 (CIF)
HLC	Supported
BLC	Supported
EIS	Supported
Privacy Mask	Up to 8 areas
ROI	Up to 8 areas
Motion Detection	Up to 4 areas
<b>SMART</b>	
Behavior Detection	Intrusion, cross line, motion detection, auto tracking
Intrusion	Enter and loiter in a pre-defined virtual region
cross line	Cross a pre-defined virtual line
motion detection	Moving within a pre-defined virtual region
Intelligent Identification	Defocus, Scene Change, Object Left, Object Moving
General Function	Watermark, IP Address Filtering, Tampering Alarm, Alarm input, Alarm output, Access Policy, ARP Protection, RTSP Authentication, User Authentication
<b>Software</b>	
APP	Guard Viewer
CMS	Guard Station
<b>Storage</b>	
Edge Storage	Micro SD, up to 256 GB
Network Storage	ANR
<b>Network</b>	
Protocols	IPv4, IGMP, ICMP, ARP, TCP, UDP, DHCP, PPPoE, RTP, RTSP, RTCP, DNS, DDNS, NTP, FTP, UPnP, HTTP, HTTPS, SMTP, 802.1x, SNMP,TLS,SSL
Compatible Integration	ONVIF(Profile S, Profile G, Profile T), API, Built-in UNV Protocol, 100% Compatible with Uniview NVR
Network	1 RJ45 10M/100M Base-TX Ethernet
<b>General</b>	
Power consumption	9W/25W(IR_LED ON)
Power supply	DC 12V/4A
POE	Support POE power supply ( POE IEEE802.3at 30W)
Temperature	-40℃ ~ +60℃
Installation	Wall /Corner/Pole/Pendant installation
Net weight	5kg
Size	Product size 350×229mm, Packing size 235*235*460mm
Protection Level:	IP66 standard (outdoor dome)
	TVS lightning protection, surge protection and voltage transient protection