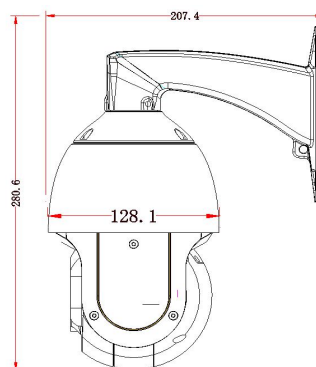


# 18X 3M WDR IP PTZ HK-UNV4B-BP-18X3M With Auto-Tracking



HD-IP IR PTZ SPEED DOME CAMERA

- \* 4.5" Half Metal Body Construction, IP66
- \* Optical 18X
- \* Built-in UNV Protocol, 100% Compatible with Uniview NVR
- \* SMART Function Support
- \* Built-in POE

Pan & Tilt	
Manual speed	Pan (0.1°~200°/s)
	Tilt (0.1°~80°/s)
Rotation	Pan continuously 360°, tilt 0~90° with auto-flip
Preset	128 preset
Auto-flip	Tilt down 90°, with auto-flip 180°
Scan	355°programmable, 4 scan
Pattern	4 patterns, and each record time is not less than 180s
Tour	4 tour, and speed & park time of presets can be set.
Idle run	tour/preset/pattern/scan can be set
Power up run	tour/preset/pattern/scan can be set
Proportional Zoom	Rotation speed can be adjusted automatically according to zoom multiples
CAM SPEC	
Chipsset	<b>1/2.8",3.0 megapixel, progressive scan, CMOS</b>
Effective Pixels	3M/30FPS/S
OPTICS Zoom	<b>Optical x 18, f =4.5mm ~ 81 mm</b>
Angle	Appr.(D) 60.4°(Wide) to 4.4°(Tele);(H) 53.3°(Wide) to 3.8°(Tele);(V) 30.7°(Wide) to 2.2°(Tele);
Iris	F1.7
Auto Focus	Auto / one push / Manual
Min. Illumination	Colour: 0.005 lux (F1.7, AGC ON);0 lux with IR
Shutter Time	Auto/Manual; shutter time: 1 ~ 1/100000 s
Defog	Digital Defog
Noise reduction	2D/3D DNR
Wide dynamic	<b>120dB</b>
VIDEO	
Video Compression	Ultra 265,H.265, H.264, MJPEG
H.264 code profile	Baseline profile, Main Profile, High Profile
Frame Rate	Main Stream:(3M)2304*1296、 1280*720、 720*576 (D1) 、 640*360
	Sub Stream:1280*720、 720*576 (D1) 、 640*360
	Third Stream:720*576 (D1) 、 640*360、 704*288 (2CIF) 、 352*288 (CIF)
HLC	Supported
BLC	Supported
EIS	Supported
Privacy Mask	Up to 8 areas
ROI	Up to 8 areas
Motion Detection	Up to 4 areas

<b>Audio</b>	
Audio Compression	G.711
Two-way audio	1 line audio in/ 1 line audio out
Suppression	Supported
Sampling Rate	8 KHZ
microphones	Support(built-in)
loudspeaker	2W(built-in)
<b>IR</b>	
IR irradiation distance	80m
IR irradiation angle	Adjustable by zoom
ICR	Manual/Auto
<b>SMART</b>	
Behavior Detection	Intrusion, cross line, motion detection, auto tracking
Intrusion	Enter and loiter in a pre-defined virtual region
cross line	Cross a pre-defined virtual line
motion detection	Moving within a pre-defined virtual region
Recognition	Audio detection
General Function	Watermark, IP Address Filtering, Tampering Alarm, Alarm input, Alarm output, Access Policy, ARP Protection, RTSP Authentication, User Authentication
<b>Software</b>	
APP	Guard Viewer
CMS	Guard Station
<b>Storage</b>	
Edge Storage	Micro SD, up to 256 GB
Network Storage	ANR
<b>Network</b>	
Protocols	IPv4, IGMP, ICMP, ARP, TCP, UDP, DHCP, PPPoE, RTP, RTSP, RTCP, DNS, DDNS, NTP, FTP, UPnP, HTTP, HTTPS, SMTP, 802.1x, SNMP, TLS, SSL
Compatible Integration	ONVIF(Profile S, Profile G, Profile T), API,Built-in UNV Protocol, 100% Compatible with Uniview NVR
APP	Guard viewer
Network	1 RJ45 10M/100M Base-TX Ethernet
<b>General</b>	
Power consumption	9W/35W(IR_LED ON)
Power supply	DC 12V/3A
POE	IEEE802.3at 30W
Temperature	-40℃~+60℃
Installation	Wall /Corner/Pole/Pendant installation
Net weight	2.1kg
Size	Product size 280*128*207mm· Packing size 255*205*273mm
Protection Level:	IP65 standard (outdoor PTZ)
	TVS lightning protection, surge protection and voltage transient protection