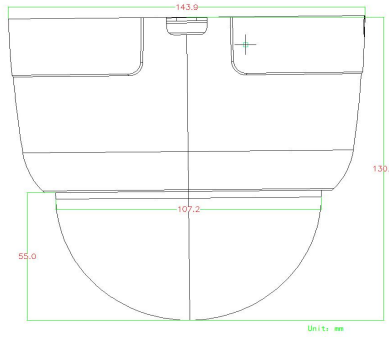


# 4X 4M WDR IP PTZ HK-UNV41-1P-4X4M With Auto-Tracking



HD-IP IR PTZ SPEED DOME CAMERA

- \* 4" Half Metal Body Construction, IP66
- \* Optical 4X
- \* Built-in UNV Protocol, 100% Compatible with Uniview NVR
- \* SMART Function Support
- \* Built-in POE

Pan & Tilt	
Manual speed	Pan (0.1°~300°/s)
	Tilt (0.1°~200°/s)
Rotation	Pan continuously 360°, tilt -10°~90° with auto-flip
Preset	128 preset
Auto-flip	Tilt down 90°, with auto-flip 180°
Patrol	16 Patrol
Power up run	tour/preset/pattern/scan can be set
Proportional Zoom	Rotation speed can be adjusted automatically according to zoom multiples
CAM SPEC	
Chispset	<b>1/1.8",4 megapixel, progressive scan, CMOS</b>
Effective Pixels	4M/30FPS
OPTICS Zoom	<b>Optical x 4, f =2.8mm ~ 12 mm</b>
Angle	Appr.(H) 104.73°(Wide) to 42.23°(Tele);(V) 55.23°(Wide) to23°(Tele);
Iris	F1.7
Auto Focus	Auto / one push / Manual
Min. Illumination	Colour: 0.005 lux (F1.7, AGC ON);0 lux with IR
Shutter Time	Auto/Manual; shutter time: 1 ~ 1/100000 s
Defog	Digital Defog
Noise reduction	2D/3D DNR
Wide dynamic	<b>120dB</b>
VIDEO	
Video Compression	Ultra 265,H.265, H.264, MJPEG
H.264 code profile	Baseline profile, Main Profile, High Profile
Frame Rate	Main Stream:2688*1520、2560*1440、2304*1296、1920*1080、1280*720、720*576 (D1)、640*360;
	Sub Stream:1280*720、720*576 (D1)、640*360;
	Third Stream:720*576 (D1)、640*360、704*288 (2CIF)、352*288 (CIF)
Privacy Mask	<b>Up to 8 areas</b>

Audio	
Audio Compression	G.711
Two-way audio	1 line audio in/ 1 line audio out
Suppression	Supported
Sampling Rate	8 KHZ
IR	
IR irradiation distance	50m
IR irradiation angle	Adjustable by zoom
ICR	Manual/Auto
SMART	
Perimeter Protection	Cross line,Enter Area,Leave Area,Intrusion
Object Detection	Face Detection
People Counting	People Flow Counting,Crowd Density Monitoring
Auto Tracking	<b>Auto Tracking(Can be triggered by Perimeter Protection)</b>
Security	Watermark, IP Address Filtering, Tampering Alarm, Alarm input, Alarm output, Access Policy, ARP Protection, RTSP Authentication, User Authentication
Events	Motion Detection,Tampering Alarm,Audio Detection
Software	
APP	Guard Viewer
CMS	Guard Station
Storage	
Network Storage	ANR
Network	
Protocols	IPv4, IGMP, ICMP, ARP, TCP, UDP, DHCP, PPPoE, RTP, RTSP, RTCP, DNS, DDNS, NTP, FTP, UPnP, HTTP, HTTPS, SMTP, 802.1x, SNMP,TLS,SSL
Compatible Integration	ONVIF(Profile S, Profile G, Profile T), API, Built-in UNV Protocol, 100% Compatible with Uniview NVR
Network	1 RJ45 10M/100M Base-TX Ethernet
P2P	Guard Viewer
General	
Power consumption	7W/15W(IR_LED ON)
Power supply	DC 12V 2A / ( POE 48V)
POE	IEEE802.3at 30W
Temperature	-40℃~+60℃
Installation	Ceiling installation ,Wall installation,Pendant,
Net weight	1.2kg
Size	Product size φ143.9×130.6mm
Protection Level:	Outdoor
	TVS lightning protection, voltage transient protection